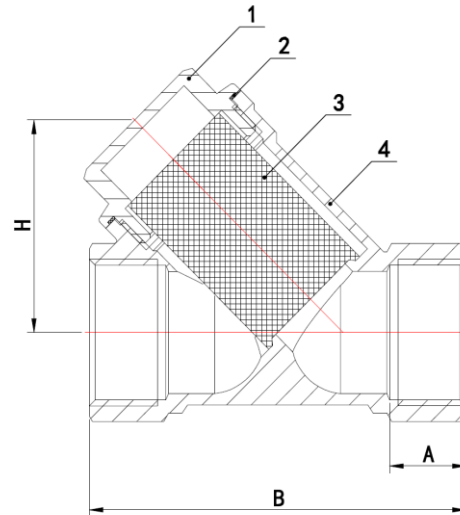


BRVSL



Technical specification:

1.Work medium: Water,Non-corrosive liquid,
Saturated steam.

2.Working temperature: $-20^{\circ}\text{C}\leq t\leq 130^{\circ}\text{C}$

SIZE	A	B	H
1/2"	10.5	55	32
3/4"	14	59	42
1"	15	78	46
1-1/4"	18	96	58
1-1/2"	19	105	62
2"	20	128	78
2-1/2"	21	153	85
3"	23	176	100
4"	25	195	140

No.	Name	Material
1	Cap	Brass
2	Seat	PTFE
3	Body	Brass
4	Filter	SUS304