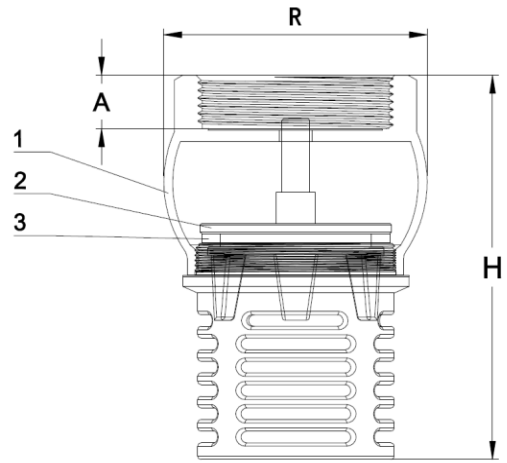


BRVF



Technical specification:

1.Work medium: Water,Non-corrosive liquid,
Saturated steam.

2.Working temperature:-20°C≤t≤130°C

SIZE	A	R	H
1/2"	11	38	62.5
3/4"	11	45	70
1"	12.5	51	78
1-1/4"	15.5	61	93
1-1/2"	15.5	68	100
2"	15.5	80	115
2-1/2"	21	99	138
3"	23	121	174
4"	29	145	192

No.	Name	Material
1	Body	Brass
2	Core	Brass
3	Seat	Rubber