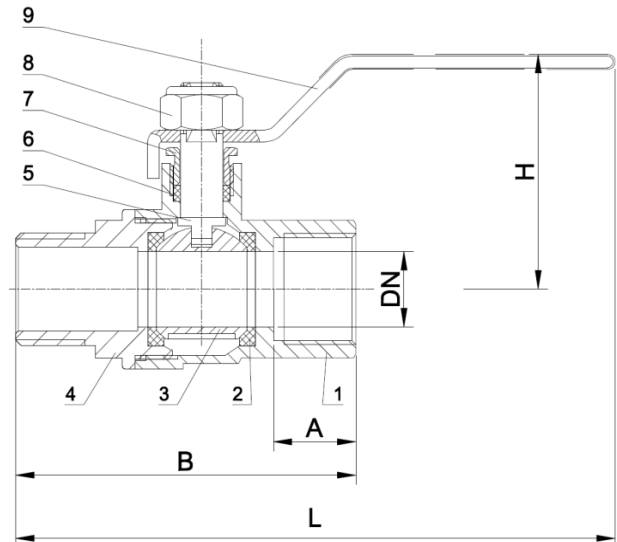


BRVBE1MF



Technical specification:

1.Work medium: Water,Non-corrosive liquid,
Saturated steam.

2.Working temperature:-20°C≤t≤130°C

SIZE	DN	A	B	H	L
1/4"	10	13	52	42	130
3/8"	10	13	52	42	130
1/2"	14	16	62	47	124
3/4"	18	19	69	55	146
1"	23	19.5	81	62	157
1-1/4"	32	21	96	83	194
1-1/2"	40	22	109	81	205
2"	47	27	118	97	228

No.	Name	Material
1	Body	Brass
2	Seat	PTFE
3	Ball	Brass
4	Cap	Brass
5	Stem	Brass
6	Seat	PTFE
7	Nut	Brass
8	Screw	SUS304
9	Handle	SUS304