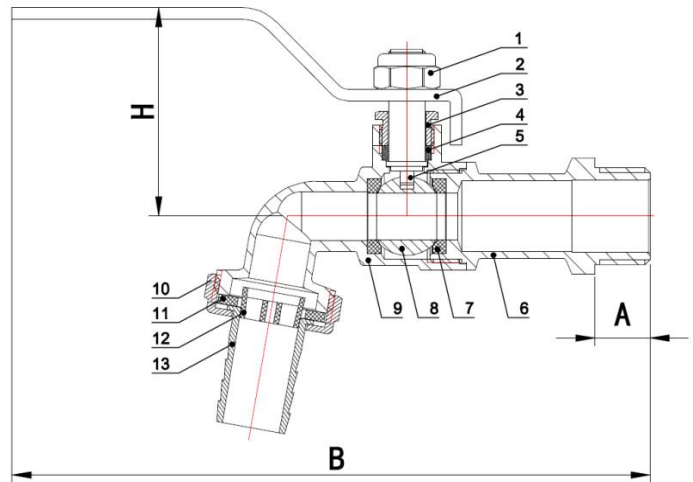


BRVBB



Technical specification:

1.Work medium: Water,Non-corrosive liquid,
Saturated steam.

2.Working temperature:-20°C≤t≤130°C

SIZE	A	B	H
1/2"	12	145	48
3/4"	13	149	50
1"	15.5	175	52

No.	Name	Material
1	Screw	SUS
2	Handle	Steel
3	Nut	Brass
4	Seat	PTFE
5	Stem	Brass
6	Body 1	Brass
7	Seat	PTFE
8	Ball	Brass
9	Body 2	Brass
10	Cap	Brass
11	Seat	Rubber
12	Plug	Plastic
13	Hose	Brass