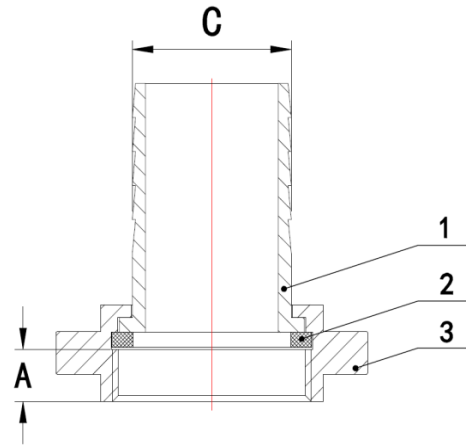


BRNT



Technical specification:

1.Work medium: Water,Non-corrosive liquid,
Saturated steam.

2.Working temperature:-20°C≤t≤130°C

SIZE	A	C
1/2"×13.5	10	13.5
3/4"×19.7	11	19.7
1"×26	12	26
1"×19.7	12	19.7
1-1/2"×38.3	13	38.3
2"×51.4	16	51.4
3"×76.5	22	76.5

No.	Name	Material
1	Body	Brass
2	Seat	NBR
3	Cap	Brass