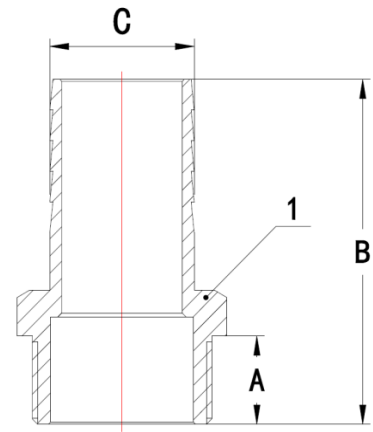


# BRMT



Technical specification:

1. Work medium: Water, Non-corrosive liquid,  
Saturated steam.

2. Working temperature:  $-20^{\circ}\text{C} \leq t \leq 130^{\circ}\text{C}$

SIZE	A	B	C
1/2"×13.5	15	30	13.5
3/4"×19.7	18	35.5	19.7
3/4"×13.5	18	30	13.5
1"×26	20	40	26
1"×19.7	20	35.5	19.7
1-1/4"×32.4	15.5	45	32.4
1-1/2"×38.3	21	55	38.3
2"×51.4	33	65	51.4
3"×76.5	30	133	76.5

No.	Name	Material
1	Body	Brass

